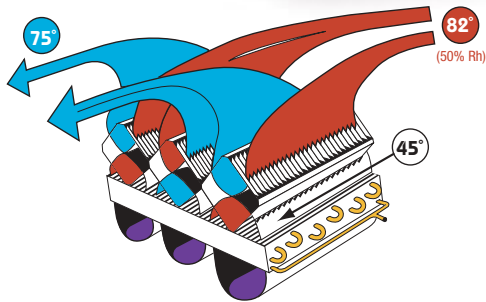


A climate of innovation™



# Natatorium Dehumidifiers



Indoor Pool Dehumidifier, Cleburne Health & Fitness Club, Cleburne, Texas—Features Super-Efficient MSP™ Technology

## Creating An Ideal Environment For Indoor Swimming Pools

*High humidity makes an indoor swimming pool the perfect environment for problems: mold, mildew, and humidity-induced corrosion. The solution: a super-efficient Nautica dehumidification unit with Multiple Small Plate (MSP™) technology. In addition, Nautica's Natatorium Units may be used to provide super-efficient pool water heating. The results are immediate energy savings, improved environmental health profile, and reduced structural corrosion.*

## Key Benefits & Features

- **Reduce Energy Costs Up To 50%**
- **Prevent Mold and Mildew**
- **Prevent Corrosion**
- **Lower Airflow—Reduced Drafts**

- Ultra-high efficiency dehumidifying technology cuts cooling costs
- Proven energy conservation in years of continuous 24/7 operation
- Single unit provides dehumidification, with optional sensible cooling, heating and ventilation
- Horizontal & vertical unit configuration
- Option of coupling the dehumidification system to water-cooled condensing section, to provide super-efficient water heating
- Energy savings demonstrated under grant from U.S. Department of Energy
- Simple refrigeration system has fewer components—less chance for breakdown
- Standard models from 10 to 175 lb/hr—larger models also available

**CORPORATE OFFICE:**  
200-19 East Second Street  
Huntington Station, NY 11746  
Phone: 631.424.8030  
Fax: 631.351.8249  
info@nauticadehumid.com

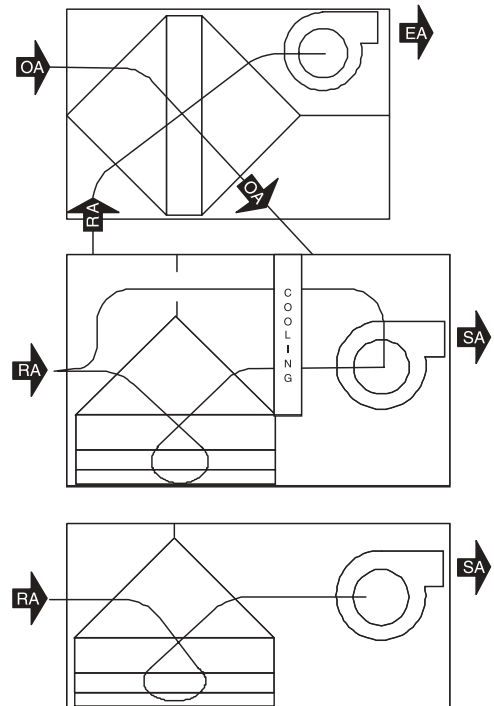
[www.nauticadehumid.com](http://www.nauticadehumid.com)

**SALES:**  
Toll free phone: 866.628.8424  
Toll free fax: 866.628.8425  
sales@nauticadehumid.com

**ENGINEERING:**  
Toll free phone: 877.662.8842  
Fax: 631.351.8249  
engineering@nauticadehumid.com

# Natatorium Dehumidifiers—Application Levels & Options

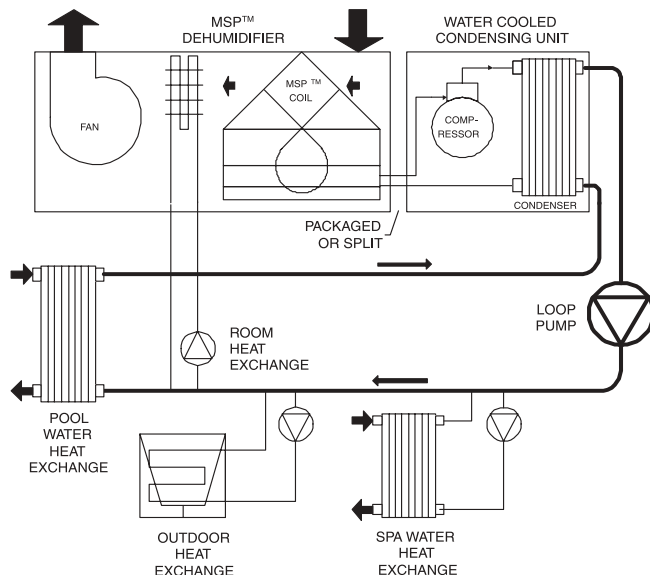
<b>LEVEL III</b> ENERGY RECOVERY VENTILATION	<b>LEVEL II</b> COOLING AND/OR AIR BYPASS	<b>LEVEL I</b> BASIC DEHUMID
<b>OPTIONS</b> ENERGY RECOVERY UNIT TO MEET VENTILATION NEEDS  STANDARD AND HIGH-EFFICIENCY HEAT EXCHANGERS	<b>OPTIONS</b> BYPASS TO MEET AIR-CHANGE NEEDS  DIRECT EXPANSION OR CHILLED WATER COILING COILS TO MEET COOLING NEEDS  HOT WATER HEATING COIL TO MEET ROOM HEATING NEEDS	<b>OPTIONS</b> DIRECT EXPANSION OR CHILLED WATER COILS TO MEET DEHUMIDIFICATION NEEDS  AIR COOLED OR WATER COOLED CONDENSING UNITS



LEGEND: EA = EXHAUST AIR    RA = RETURN AIR  
 OA = OUTSIDE AIR    SA = SUPPLY AIR

## Optional Pool Water Heating—Piping Diagram

Applies to all 3 levels of indoor pool applications



## Additional Features

- Three levels of options to meet the needs of any indoor pool application
- Packaged or split systems include:
  - > Dehumidification using chilled water or air/water cooled condensing units
  - > Ventilation and air changes to meet local codes
  - > Water heating for pool and/or spa
  - > Air heating for pool room
- Optional heating loop components may be packaged with condensing unit
- Optional condensing section may be packaged with air handler or split

A climate of innovation™



CORPORATE OFFICE: 200-19 East Second Street, Huntington Station, NY 11746 • Phone: 631.424.8030 • Fax: 631.351.8249 • info@nauticadehumid.com

SALES: Toll free phone: 866.628.8424 • Toll free fax: 866.628.8425 • sales@nauticadehumid.com

ENGINEERING: Toll free phone: 877.662.8842 • Fax: 631.351.8249 • engineering@nauticadehumid.com

www.nauticadehumid.com